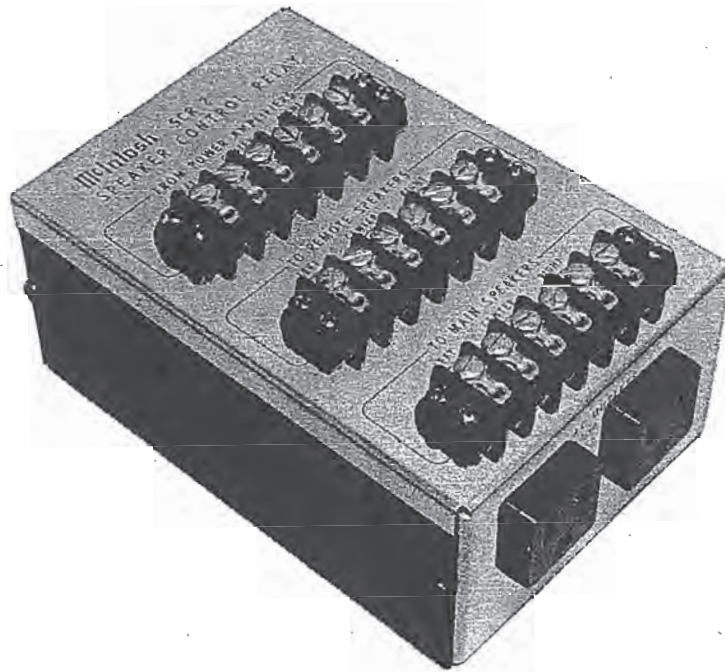


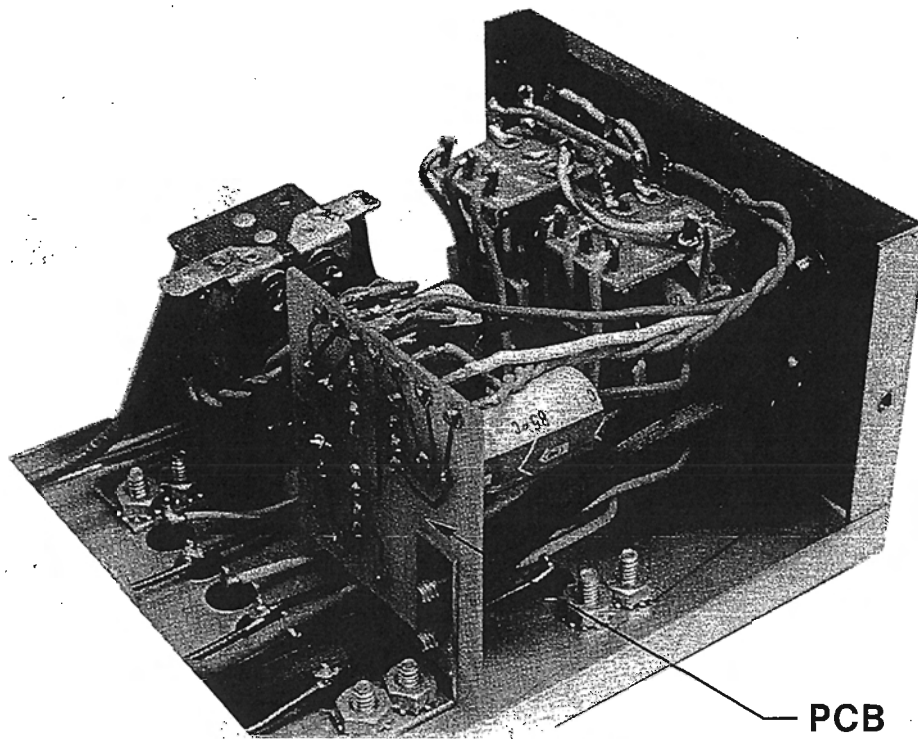
MASTER

SCR 2

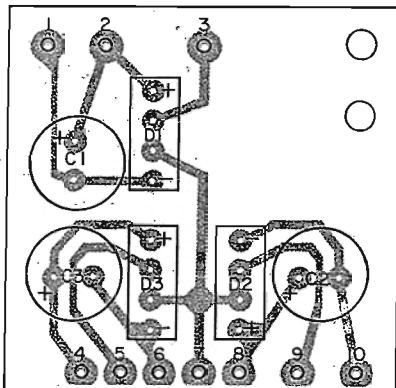
SPEAKER CONTROL RELAY



McIntosh
service manual



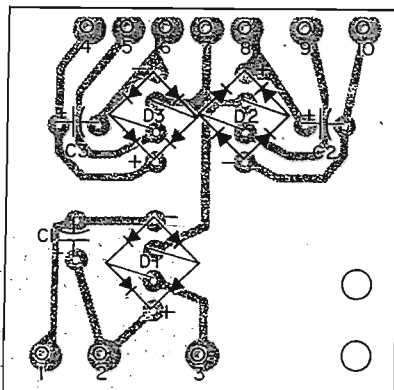
PCB



COMPONENT SIDE

(Circuit pattern shown is on the other side of the board)

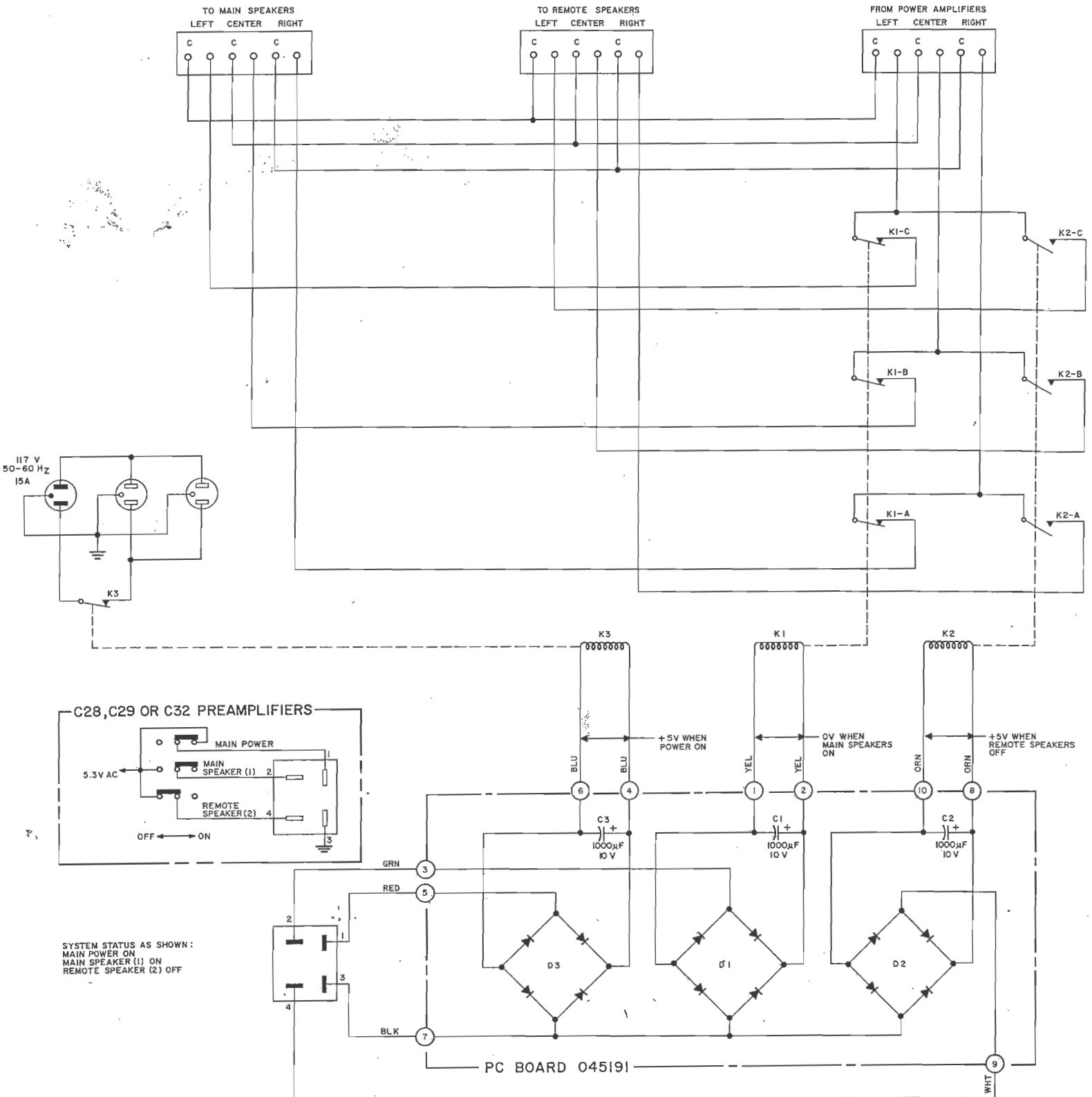
PC BOARD 045191



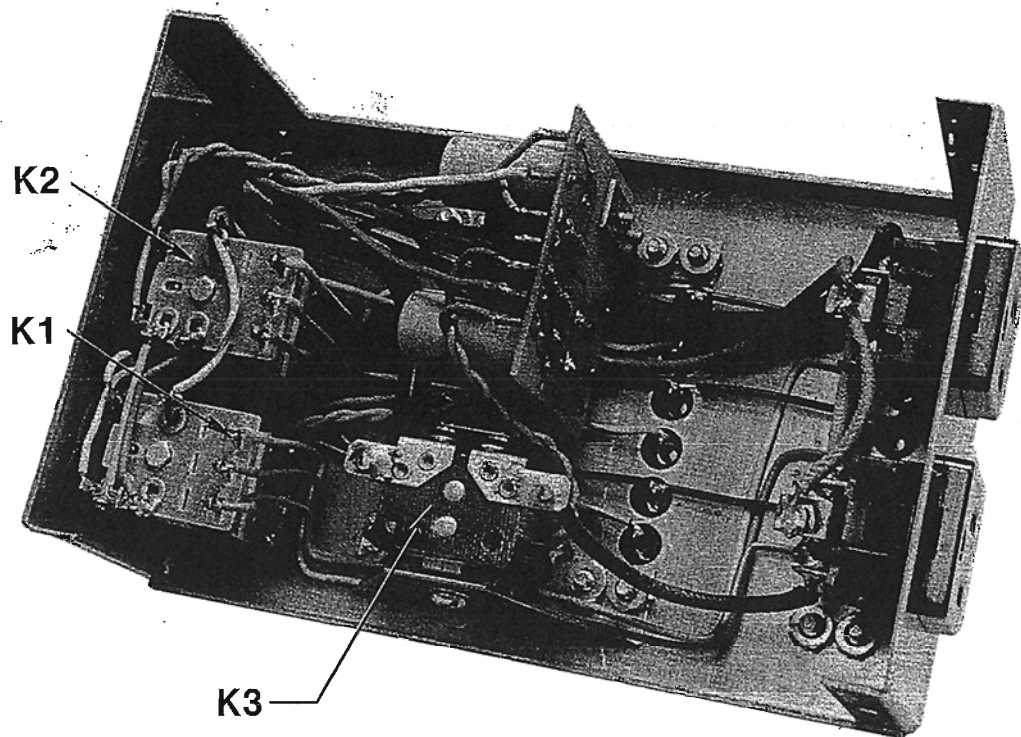
CIRCUIT SIDE

SCR 2 SERIAL NO. SERIES BW1001 AND ABOVE

(Refer to page 5 for serial no. series 100W1 and above)



154717



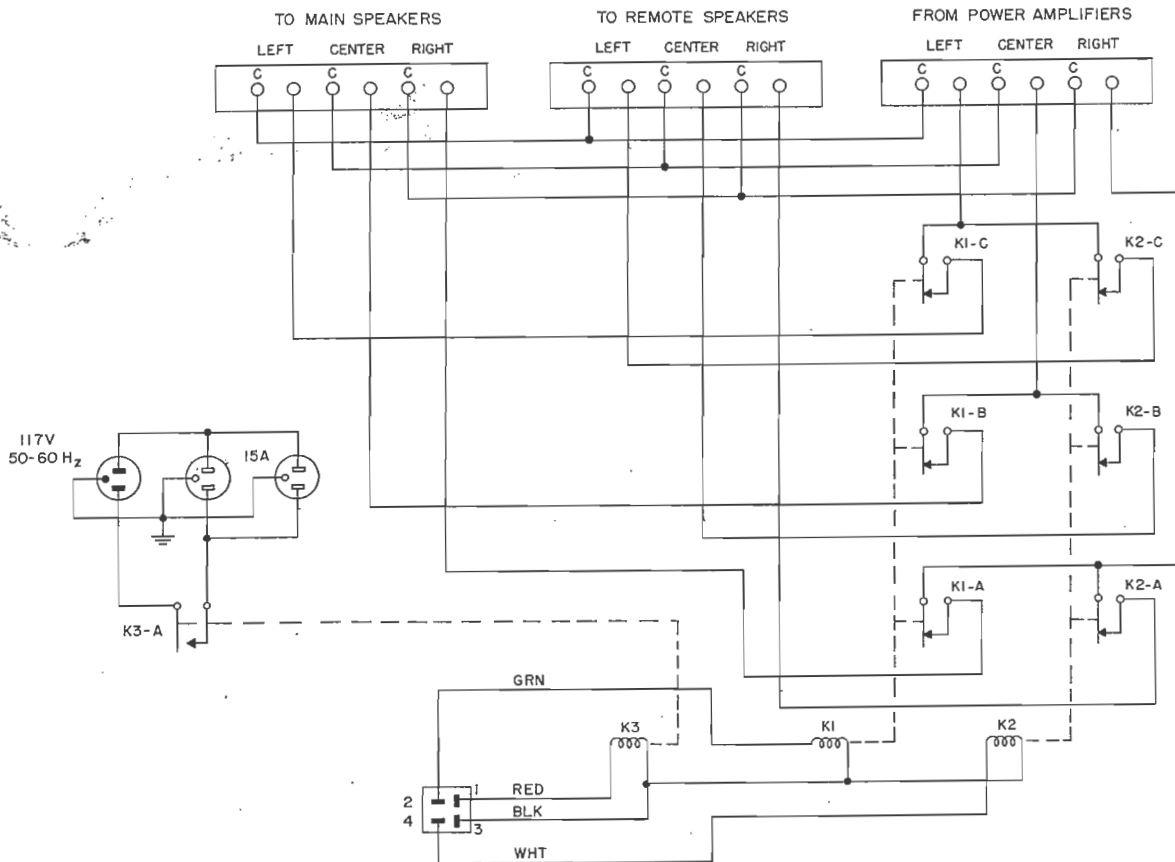
PARTS LIST

Symbol No.	Part No.	Name/Description	Serial No.	Ref. No.
C1	066309	Cap, Elect, 1000MF, 10V		
C2	066309	Cap, Elect, 1000MF, 10V		
C3	066309	Cap, Elect, 1000MF, 10V		
D1	070044	Diode, Bridge, 400V, 2A		
D2	070044	Diode, Bridge, 400V, 2A		
D3	070044	Diode, Bridge, 400V, 2A		
K1	087028	Relay, 3PST, 6V DC Coil		
K2	087028	Relay, 3PST, 6V DC Coil		
K3	087027	Relay, SPST, 6V DC Coil		
	074003	Terminal Block		
	117037	AC Receptacle		
	170114	AC Power Cord		
	170067	Interconnect Cable		

SCR 2

SCR 2 SERIAL NO. SERIES 100W1 AND ABOVE

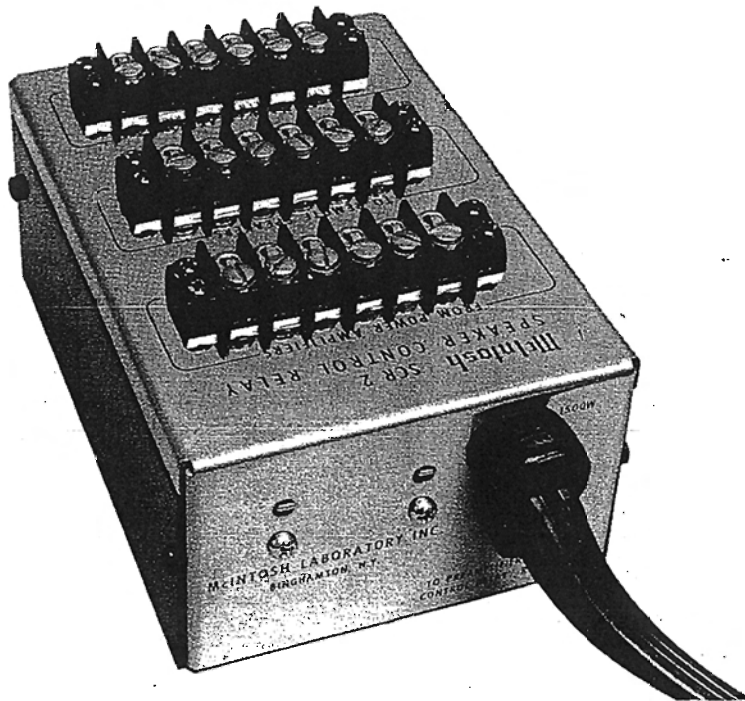
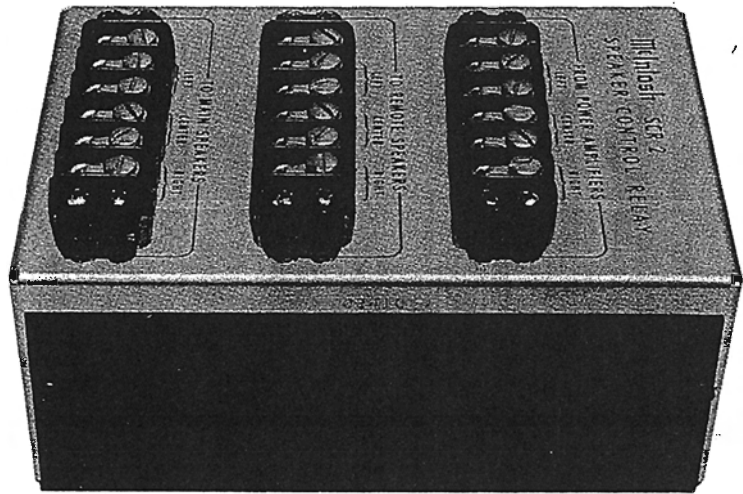
(Refer to page 1-3 for serial no. series BW1001 and above)



Schematic No. 154463

PARTS LIST

Symbol No.	Part No.	Name/Description	Serial No.	Ref. No.
K1	087011	Relay, 3PST, 6V AC Coil		
K2	087011	Relay, 3PST, 6V AC Coil		
K3	087009	Relay, SPST, 6V AC Coil		
	074003	Terminal Block		
	117037	AC Receptacle		
	170068	AC Power Cord		
	170067	Interconnect Cable		



McIntosh®

SCR2A Speaker Control Relay Installation

Description

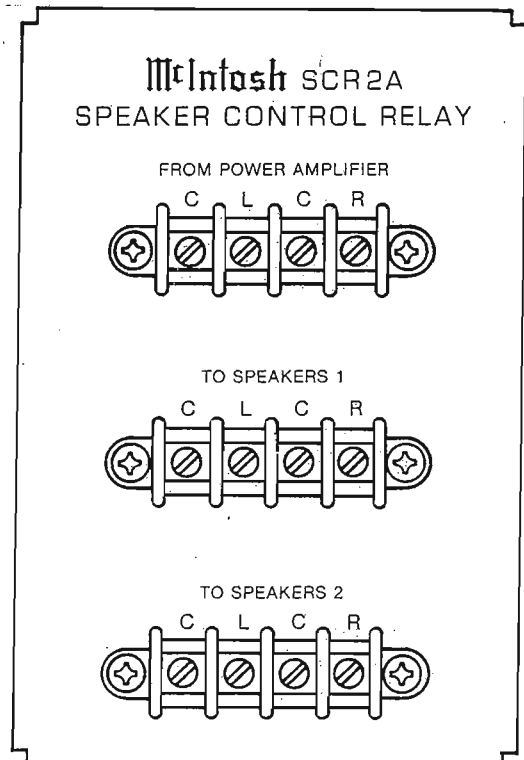
The SCR2A Speaker Control Relay is a switching device to be used with the McIntosh C34V Audio/Video Control Center or any of the McIntosh Preamplifiers: C28, C29, C30, C32 or C33. The SCR2A will do the following:

1. Switch on and off two sets of loudspeaker systems.
2. Switch on and off two high power 120VAC outlets for a total of 1800 watts.

The SCR2A is similar in function to the SCR3, but the devices use different control circuits and can not be used interchangeably. The SCR2A supersedes the SCR1 and SCR2.

Connections

1. Connect SPEAKER 1 terminals on the SCR2A to loudspeaker system 1 (the main speakers). *Make sure the speaker polarity and the right and left channels are connected correctly.*
2. Connect SPEAKER 2 terminals to loudspeaker system 2 (the remote speakers).
3. Connect POWER AMPLIFIER terminals to the output of the power amplifier, making sure polarity and channels are connected correctly. *When connecting to the power amplifier, be aware that speaker systems 1 and 2 are in parallel when both systems are playing. The impedance seen by the power amplifier is the impedance of the speakers in parallel. For example, two 8 ohm speaker systems will present a load of 4 ohms.*
4. Plug the heavy AC line cord on the SCR2 directly into a wall outlet. Use the two AC outlets on the SCR2A to supply AC power to amplifiers or to other equipment requiring heavy power.
5. Connect the SCR2A control cable to the SCR connector on the Control Center or Preamplifier.



Operation

Loudspeakers may be turned on and off by touching SPEAKERS 1 and 2 pushbuttons on the Control Center or Preamplifier.

Power to the SCR2A outlets is turned on and off by the POWER switch on the Control Center or Preamplifier.